

Jacked cooled submersible pumps for clean and domestic waste water.

Chromatic C250 WE

Application

Pump for pumping clean or lightly soiled water. Cellar draining, keeping trenches, shafts and rooms dry. Domestic waste water disposal in cellar rooms (e.g. washbasin, shower, washing machine). Draining of reservoirs. Emergency pump for flooding. A cooling jacket with discharge connector at the top ensures sufficient motor cooling at low water level (sip operation). The built-in float switch with extremely small construction width allows automatic operation even in particularly narrow shafts. Automatic ventilation with additional ventilation screw. Removable strainer allows residual water to be removed to 5 mm. Automatic flushing device available.

Installation: Stationary or mobile.

Conveying medium: Clean or domestic waste water with solid content up to 10 mm grain size. Max. temperature of conveying medium: 35°C, briefly up to 60°C.

Operating mode: Continuous operation (S1), at medium temperature 36 - 60°C: Intermittent operation (S3 30%).

Construction

Fully submersible pump, consisting of:

Pump: Single stage centrifugal pump with vertical pressure connection and integrated non-return valve.

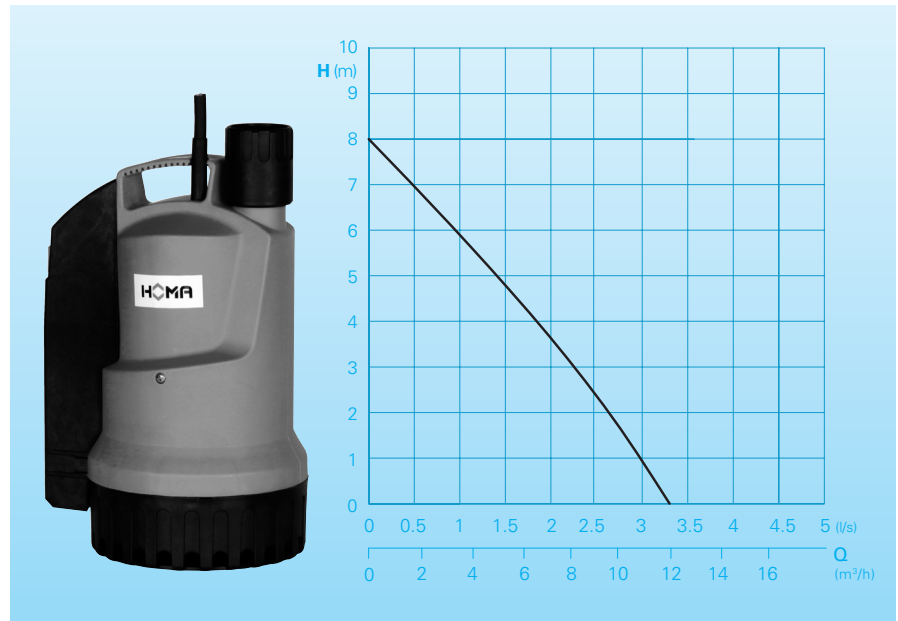
Impeller: Open multi-channel impeller, spherical clearance 10 mm.

Motor: Pressure watertight, medium-immersed motor. Stainless steel motor housing. Insulation class B, protection type IPX8. Thermal sensor for temperature monitoring in the winding. Connection Cable: H07RN8-F 3G1.

Shaft/Bearing: Generously-proportioned chromium steel motor shaft, permanently-lubricated roller bearing.

Seal: Shaft seal with triple radial shaft seal and ceramic-coated sealing surface.

Conveying capacity



Technical Data

Pump type	Motor power		Voltage 50 Hz (V)	Rated current (A)	Weight (kg)
	P ₁ (kW)	P ₂ (kW)			
C250 WE	0,55	0,26	230/1Ph	2,5	5,3

Speed: 2850 rpm

Pressure connection: G 1¼

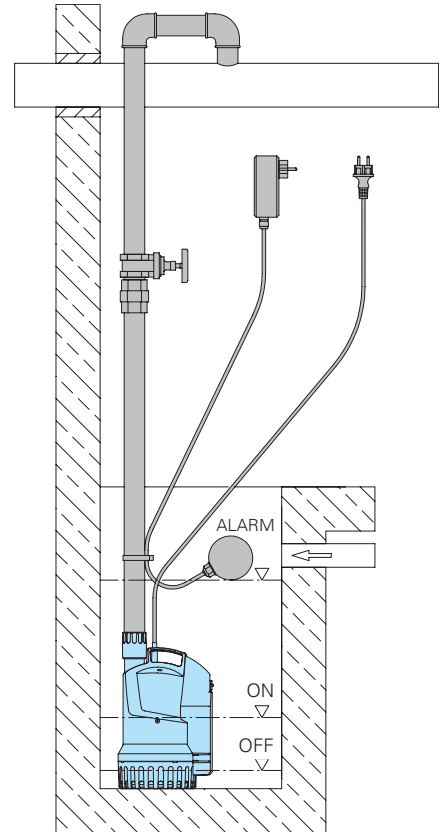
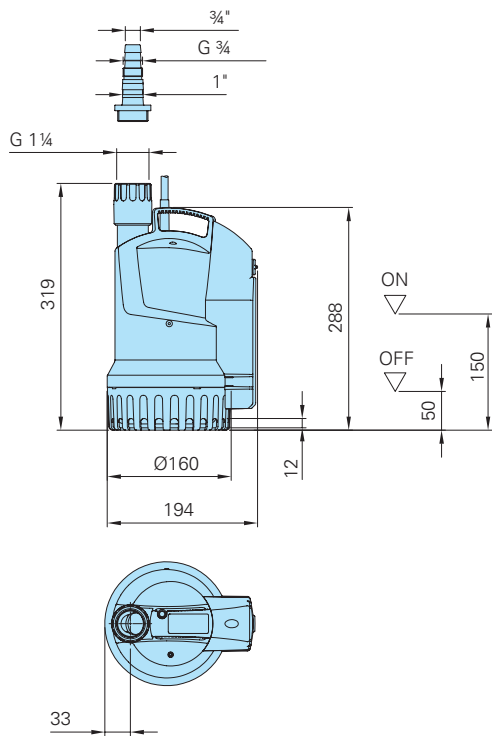
Materials

Motor housing, motor shaft, screws	Stainless steel
Strainer, outer housing, impeller, pressurised lid	Impact-resistant plastic
Elastomers	NBR

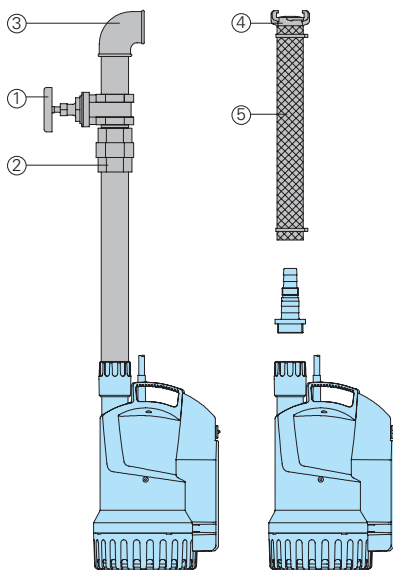
Scope of Supply

Pump with built-in float valve switch, twin box G 1¼ inc. integrated return valve, sealing ring and hose connection, 10 m connection cable and mains plug.

Dimensions and Installation Example (all dimensions in mm)



Accessories



Description	Size	Part No.	Description	Size	Part No.
① Gate valve, brass	BSP 1 1/4" F	2216012	○ Residual current device 2-pin, Fi 16/0.03 A		1561160
② Transitional screw mounting, galvanised	BSP 1 1/4" M/F	2114304	○ Mains-dependent alarm control unit AL3 with connector for 9 V rechargeable battery (see below) for operation independent of mains power supply, with built-in signal transmitter for 230 V, 1-phase mains connection		1586140
③ Connection angle 90°, galvanised	BSP 1 1/4" F BSP 1 1/4" F/M	2113604 2111405	9V battery for mains-independent alarm		1952215
T-piece for merging the pressure pipe in dual systems, galvanised	BSP 1 1/4" F	2114301	○ Float valve switch MB, mercury-free, MIN or MAX function, with integrated counterweight		
○ Non-return valve, brass (if no integrated non-return valve fitted)	BSP 1 1/4" F	2211213	Cable length	6 m 10 m	1465706 1465710
○ Double nipple, galvanised	BSP 1 1/4" M	2009011	○ Pump control systems and switching gear for mobile and permanent usage, level recording and monitoring devices	See HOMA accessories	
④ Fixed coupling, brass	BSP 1 1/4" M	2005413			
Hose coupling, brass	1 1/4"	2003413			
	1"	2003313			
	3/4"	2003212			
⑤ PVC hose, per m	1 1/4" Ø 30 mm	2621200			
	1" Ø 25 mm	2621000			
	3/4" Ø 19 mm	2620700			
Plastic spiral hose, per m	1 1/4" Ø 32 mm	2632030			
	1" Ø 25 mm	2632025			
	3/4" Ø 19 mm	2632019			
Hose clip	1 1/4"	2302330			
	3/4"-1"	2303252			

HOMA
P U M P T E C H N O L O G Y

HOMA Pumpenfabrik GmbH
P.O.Box 22 63, D-53814 Neunk.-Seelscheid
Tel. +49 (0) 22 47/702-0, Fax +49 (0) 22 47/702-44
e-mail: info@homa-pumpen.de
www.homapumps.com