

*R standard and RL*

*PUMPS WOBBLE SERIES*

**R**



## WOBBLE PUMP RL Series

R series has compact and linear design, it has a good price-performance ratio and not pulsating flow without jeopardize the physic, chemical and organoleptic characteristics of fluids. The wobble pump is used for many different application, slightly abrasive, viscous or gravel liquids. The stainless steel version is particularly suitable for food grade fluids .

The new R40L R80L series consisting of a T shaped stator and assembled with patented joints completes the wobble stator pump series. Produced with AISI 304, AISI 316 and cast iron bodies. Maximum flow 14 cm/h at 1400 rpm with the bigger R80L pump, and 10 cm/h with 1000 rpm motor;  
Maximum pressure is 4 bar for the R40L and 3 bar for the R80L with 4 poles motor.

### CAST IRON

**PUMP CASING:** G25 UNI cast iron  
**ROTOR:** St.Steel 304 / 316 / 304 HCP / 316 HCP  
**STATOR:** NBR food grade / EPDM / FKM  
**COUPLING:** St.teel. 316 / NBR / EPDM / FKM

**BY-PASS:** at request  
**MOTOR SHAFT:** St.Steel 316  
**STD MECHANICAL SEAL:**graphite / nitrile / other on req.  
**MOTOR:** electric motor direct coupling or with flanged support

### PERFORMANCE

TYPE	Kw	Poles	rpm	m3/h 1bar	m3/h 2 bar	m3/h 3 bar	m3/h 4 bar
R40L	1,5	4	1400	5,5	4,6	3,6	2,7
	1,1	6	900	3.6	2.9	2,3	1,7
	0,55	8	700	2.8	2,3	1.7	1,3
R80L	4	4	1400	14,4	12,5	10,2	-
	2,2	6	900	9.2	8.1	6.9	5.7
	1,5	8	700	7.1	6.2	5,3	4.5

### POWER MOTORS

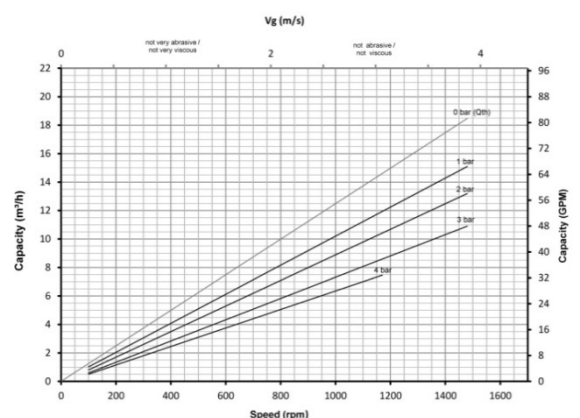
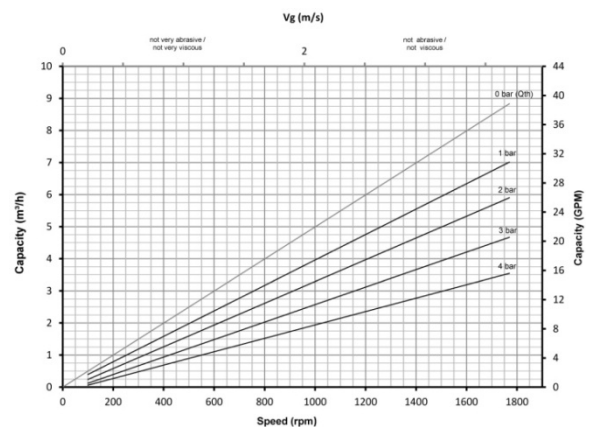
TYPE	4 pole 1400 RPM	6 pole 900 RPM	8 pole 700 RPM
R40L	1,5 Kw	1,1 Kw	0,55 Kw
R80L	4 Kw	2,2 Kw	1,5 Kw

### STAINLESS STEEL

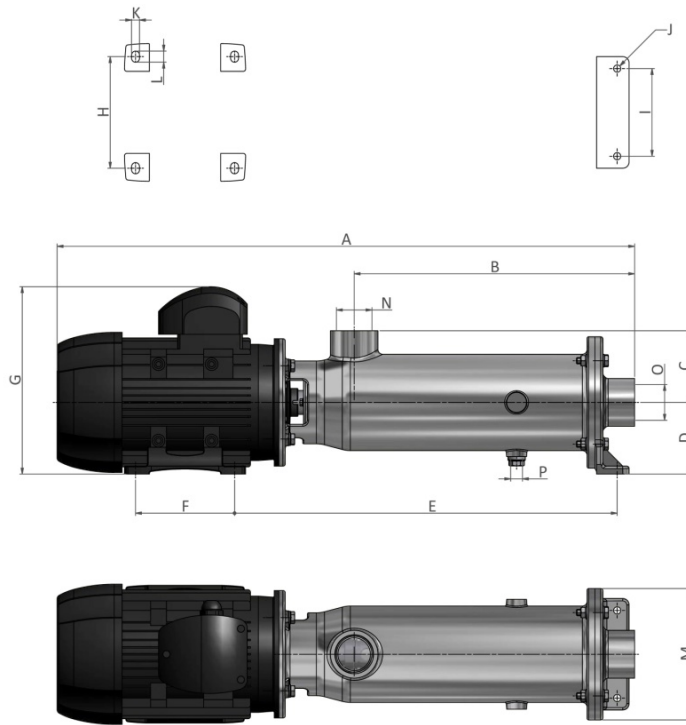
**PUMP CASING:** St. Steel 304/316  
**ROTOR:** St.Steel 304 / 316 / 304 HCP / 316 HCP  
**STATOR:** NBR food grade / EPDM / FKM  
**COUPLING:** St.Steel 316 NBR food grade /NBR / EPDM / FKM

**BY-PASS:** St.Steel 304 / 316  
**DRIVE SHAFT:** St.Steel 316  
**STD MECHANICAL SEAL:**graphite / nitrile / other on req.  
**MOTOR:** electric motor direct coupling or with flanged support

### PERFORMANCE

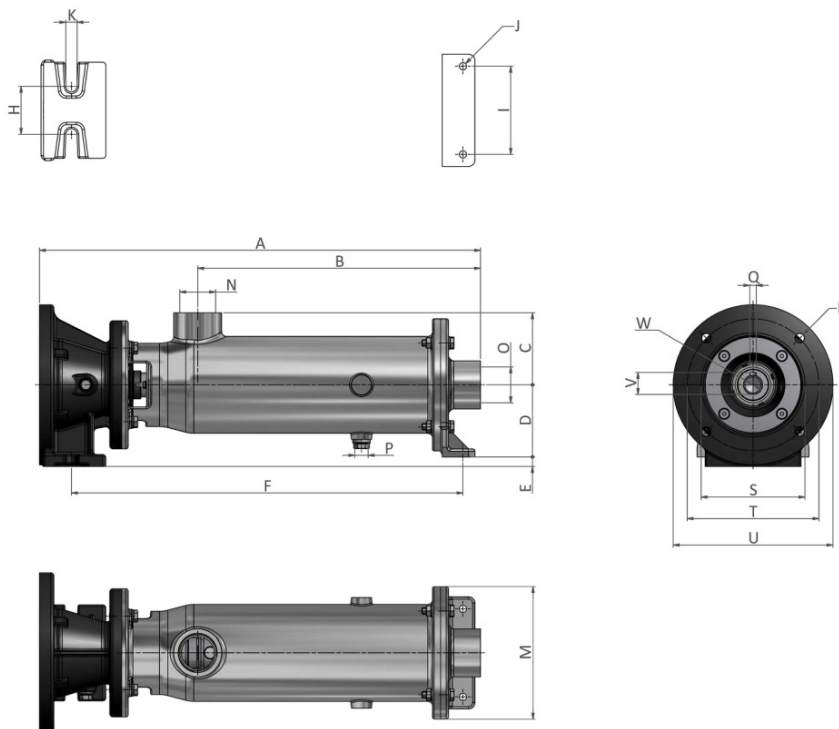


## DIMENSION "RL"



<b>Wobble cast iron and Stainless Steel Aisi304 / 316 dimensions (mm)</b>																
TYPE	A	B	C	D	E	F	G	H	I	J	K	L	M	N/O	P	Kg
<b>R40L</b>	729	354	90	90	483	125	235	140	<b>110</b>	9	10	14	165	1"1/2	3/8"	28
<b>R80L</b>	886	471	100	112	618	137	289	190	<b>130</b>	9	12	16	190	2"	3/8"	55

By-Pass on request  
Optional Available at request: baseplate, trolley and inverter

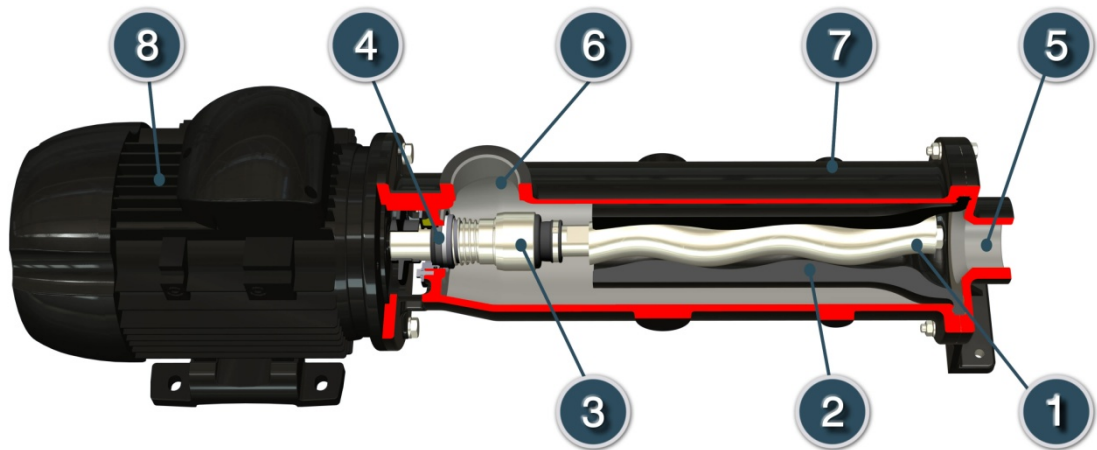


<b>Flanged wobble cast iron and Stainless Steel Aisi304 / 316 dimensions (mm)</b>																					
TYPE	A	B	C	D	E	F	H	I	J	K	M	N/O	P	Q	R	S	T	U	V	W	Kg
<b>RF40L</b>	552	354	90	90	12	490	60	110	9	14	165	1"1/2	3/8"	8 h9	4	130	165	200	27,5	24F8	25
<b>RF80L</b>	669	471	100	112	15	610	60	130	9	14	190	2"	3/8"	8 h9	4	180	215	250	31,5	28F8	37

By-Pass a richiesta.  
Accessori Disponibili: base o carrello con manico; e a richiesta inverter.



## FEATURES "RL" Series



### PUMP COMPONENTS

1

#### **ROTOR**

*MATERIALS: stainless steel 304 / 316, nitride steel, hardened steel and chromed steel.*

2

#### **STATOR**

*RUBBER TYPE: NBR, NBR food grade, EPDM, EPDM food grade, FKM.*

3

#### **SHAFT AND PIN JOINT**

*The new state-of-the-art transmission, supports the axial force and the transmitted torque between the rotor connection and the drive. (pin joint Patent pending). MATERIALS: AISI 316 with rubber sleeve NBR, NBR food grade, EPDM, FKM.*

4

#### **SEALING**

*Mechanical seal.*

5

#### **SUCTION**

*Pipe union where the fluid comes in, made of stainless steel, cast iron, depending by the version.*

6

#### **CASING WITH DELIVERY PART**

*Made of stainless steel or cast iron depending by the version.*

7

#### **DISCHARGE PLUG**

*The pump body is provided with three areas where is possible drill for the discharge hole also in the case of body shot. The standard pump is already provided with discharge plug in the lower side.*

8

#### **ENGINE.**

*The coupling with the engine is B3 / B5 reduced (B14) or with flanged support*

## WOBBLE PUMPS “R” Standard

R series has compact and linear design, it has a good price-performance ratio and not pulsating flow without jeopardize the physic, chemical and organoleptic characteristics of fluids. The wobble pump is used for many different applications, slightly abrasive, viscous or gravel liquids. The stainless steel version is particularly suitable for food grade fluids and bronze version is for marine use.

### CAST IRON AND BRONZE

**PUMP CASING:** G25 UNI 5007 cast iron / Bronze UNI EN 1982 CC491K

**ROTOR:** St. Steel 304 / 316 / 304 HCP / 316 HCP

**STATOR:** NBR food grade / EPDM / FKM

**COUPLING:** St. steel. 316 / NBR / EPDM / FKM

**BY-PASS:** OT 58

**MOTOR SHAFT:** St. Steel 304

**STD MECHANICAL SEAL:** graphite / nitrile / other on req.

**MOTOR:** electric motor direct coupling or with flanged support

### STAINLESS STEEL

**PUMP CASING:** St. Steel 304/316

**ROTOR:** St. Steel 304 / 316 / 304 HCP / 316 HCP

**STATOR:** NBR food grade / EPDM / FKM

**COUPLING:** St. Steel 316 NBR foodgrade / EPDM / FKM

**BY-PASS:** St. Steel 304 / 316

**DRIVE SHAFT:** St. Steel 304

**STD MECHANICAL SEAL:** graphite / nitrile / other on req.

**MOTOR:** electric motor direct coupling or with flanged support

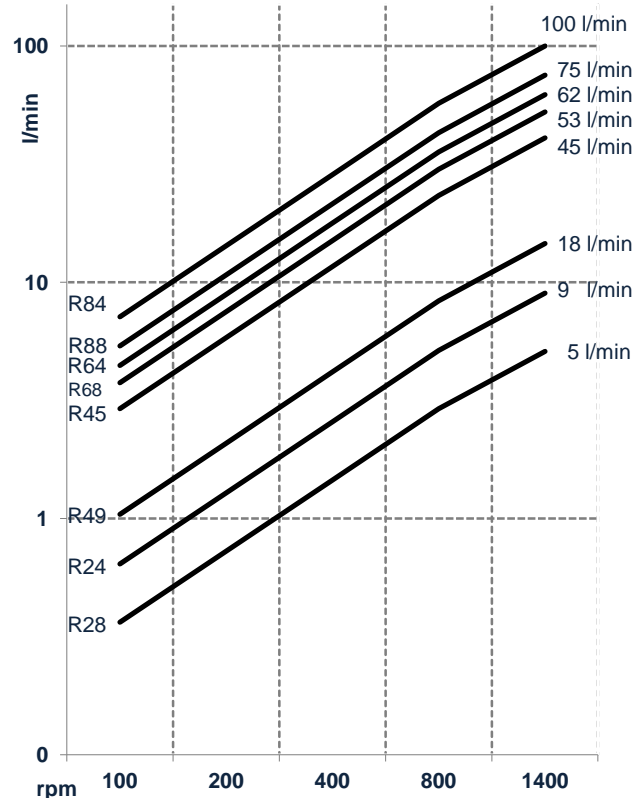
### PERFORMANCE

TYPE	l/min 1 bar	m3/h 1 bar	BAR MAX	RPM MAX
R24	9	0,54	7	1400
R28	5	0.30	7	1400
R45	45	2,7	7	1400
R49	18	1,08	7	1400
R64	62	3,70	7	1400
R68	53	3,18	7	1400
R84	100	6,00	7	1400
R88	75	4,50	7	1400

### POWER MOTORS

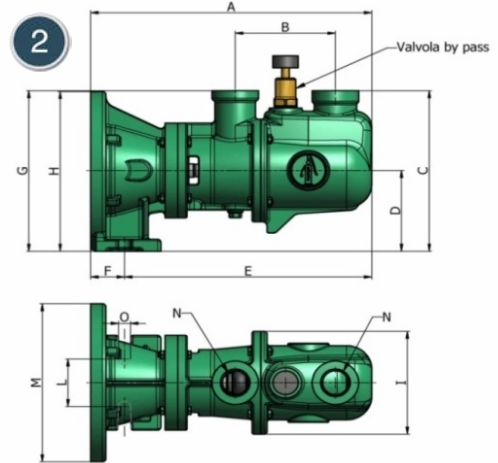
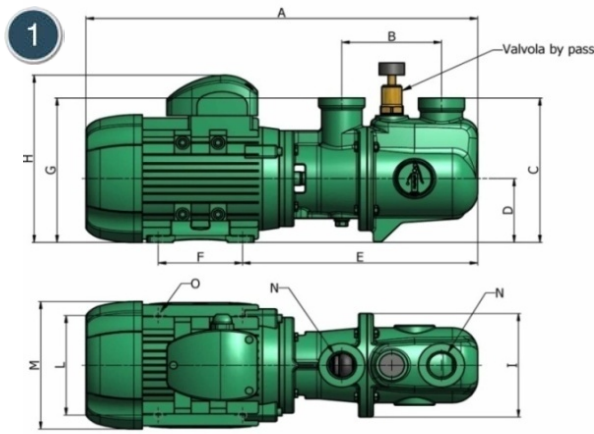
TYPE	4 pole 1400 RPM	6 pole 900 RPM	8 pole 700 RPM
R24 R28	0,25 Kw	0,18 Kw	-
R45 R49	0,55 Kw	0,55 Kw	0,25 Kw
R64 R68	1,1 Kw	0,75 Kw	0,55 Kw
R84 R88	2,2 Kw	1,5 Kw	0,75 Kw

### PERFORMANCE at 1 bar



# R

## DIMENSION "R"

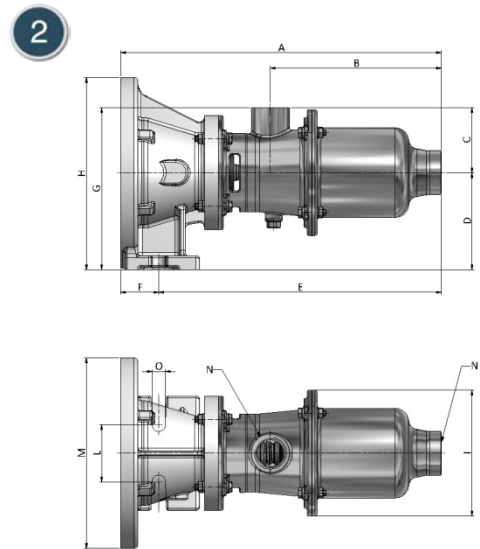
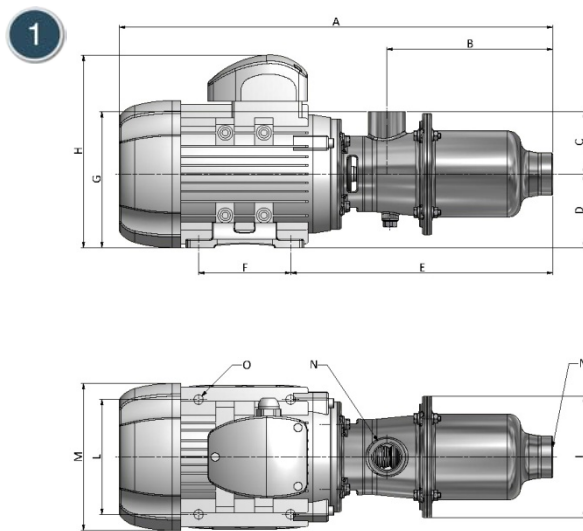


1 Wobble cast iron and bronze* dimensions (mm)														
TYPE	A	B	C	D	E	F	G	H	I	L	M	N	O	Kg
R24 R28	398	96	155	71	231,5	90	155	190	112	112	140	¾"	7	11,5
R45*R49*	466	118,5	181	80	279,5	100	181	210	130	125	163	1"	10	16,5
R64 R68	553	155	215	90	354	100	215	235	180	140	176	1" ¼	10	26
R84 R88	717	255	240	100	469	140	225	260	195	160	197	1" ½	12	43,5

2 Flanged Wobble cast iron and bronze* dimensions (mm)														
TYPE	A	B	C	D	E	F	G	H	I	L	M	N	O	Kg
RF45* RF49*	332,5	118,5	203	102	292,5	40	203	202	130	60	200	1"	14	15
RF64 RF68	401	155	227	102	361	40	217	202	180	60	200	1" ¼	14	22

By-Pass valve on request (as the drawings) in models R24-R28-R44-R48.  
 (\*) Bronze available only for the models R44-R48 and RF44-RF48 same dimensions.



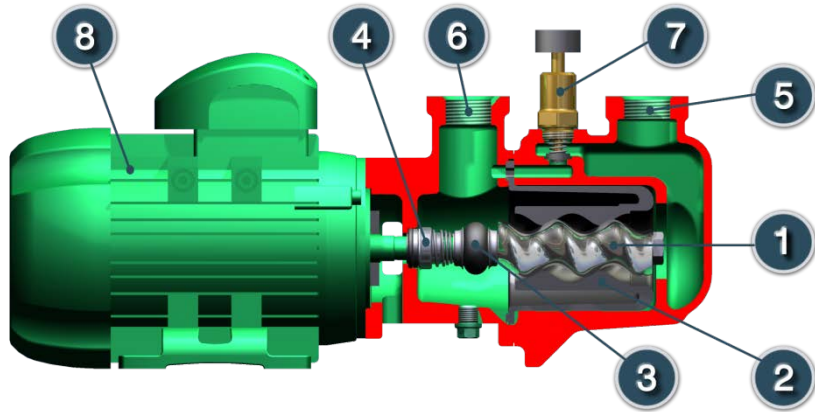
1 Wobble stainless steel dimensions (mm)														
TYPE	A	B	C	D	E	F	G	H	I	L	M	N	O	Kg
R24 R28	402	145	60	71	236	90	131	190	110	112	140	3/4"	7	10
R45 R49	471	180	68	80	284,5	100	148	210	132	125	160	1"	10	15
R64 R68	566	240	90	90	366,5	100	180	235	180	140	176	1"1/4	10	22

2 Flanged Wobble stainless steel dimensions (mm)														
TYPE	A	B	C	D	E	F	G	H	I	L	M	N	O	Kg
RF45* RF49*	337,5	180	68	102	297,5	40	170	202	132	60	200	1"	14	13
RF64 RF68	413,5	240	90	102	373,5	40	192	202	180	60	200	1"1/4	14	19

R84-88 not available in stainless steel

## FEATURES "R" Series

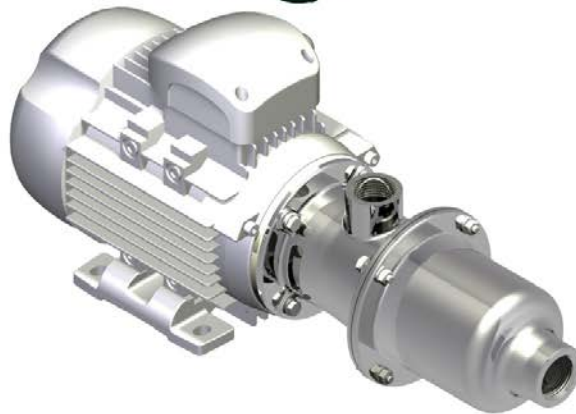
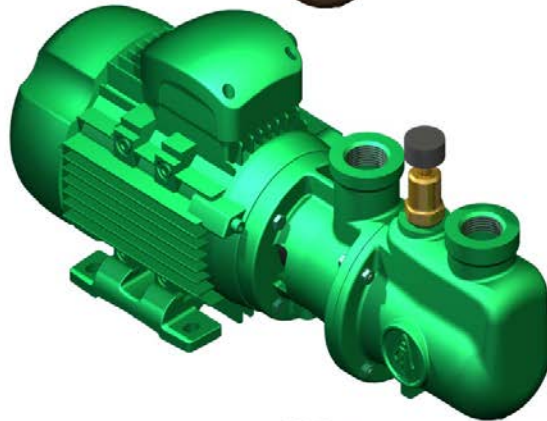
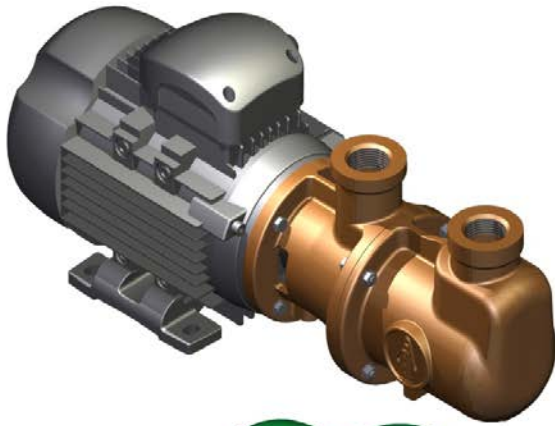


### PUMP COMPONENTS "R" SERIES

- 1 ROTOR**  
MATERIALS: stainless steel 304 / 316, duplex, nitride steel, hardened steel and chromed steel.
- 2 STATOR**  
RUBBER TYPE: NBR, NBR food grade, EPDM, EPDM food grade, FKM.
- 3 JOINT**  
CROSS JOINT: stainless steel 316 with rubber sleeve NBR, NBR foodgrade , EPDM, FKM.
- 4 SEALING**  
Single Mechanical seal.
- 5 SUCTION**  
Pre-chamber where the fluid comes in, made of stainless steel, cast iron or bronze, depending by the version.
- 6 CASING WITH DELIVERY PART**  
Made of stainless steel, cast iron or bronze depending by the version.
- 7 BY PASS**  
For the cast iron version it is made of brass or iron, for the other version it is in stainless steel 304 / 316 (on request).
- 8 ENGINE**  
The coupling with the engine is B3 / B5 reduced or with flanged support.



 **NOVA ROTORS®** srl  
Progressing cavity Pumps



 **NOVA ROTORS** srl  
Progressing cavity Pumps

Via Carlo Cattaneo, 19/25 - Sossano (VICENZA) ITALY - [www.novarotors.com](http://www.novarotors.com)  
[sales@novarotors.com](mailto:sales@novarotors.com) - tel. +39 0444 888151 - fax +39 0444 888152



ISO 9001: 2008  
No.: 2011/1353  
OHSAS 18001:2007  
No.: 2010/915



RWTUV-8-04  
ATEX  
0108-I-NovaRot