

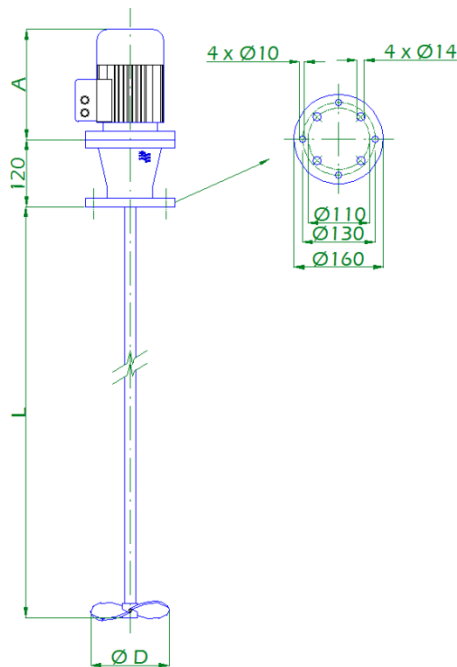
VHD3 fast running mixers available in three speeds: 750, 1000 and 1500 rpm, and suitable for little and medium tanks, with volumes from 200 to 3000 liters. The standard mobile is a three blades marine propeller. An aluminium lantern with a bearing guided inner shaft absorbs the radial forces and allows to reach shaft lengths up to 1500 mm. The propeller can be easily adjusted along the shaft if necessary, or it can be equipped with two or more propellers.

Main features:

- For tanks 200 – 3000 liters.
- Motor power: 0,18 kW to 1,5 kW.
- Running speed 750, 1000, 1500 rpm.
- 3 blades marine propeller diameters 128 to 200 mm.
- Shaft diameter 20 mm, length up to 1500 mm.
- Shaft and propeller AISI 316, or polyethylene coated.
- Flange with 2 mounting options: 110 and 130 circle of bores.

Optional extras:

- AISI 316 or PVC flange with oil seal.
- Special coatings at shaft + propeller.
- Food industry execution, polished.
- ATEX, or pneumatic motors.
- DIN or ANSI flanges.
- Clamp support.



WARNING: VHS mixers can not run in empty tanks!

Model	Power kW	Speed rpm	A	D	L max.	Weight Kg	Vol. M3
VHD3-01 02 B 01	0,18	1000	188	100	1500	17	0,2 – 0,5
VHD3-03 03 B 02	0,37	1500	216	128	1500	17	0,5 – 1
VHD3-05 03 B 03	0,75	1500	232	140	1500	20	1 – 1,5
VHD3-06 03 B 04	1,1	1500	267	160	1500	21	1 – 2
VHD3-07 03 B 05	1,5	1500	267	200	1500	26	2 – 3

Dimensions in [mm].

(*) Tank volumes only for guidance.

Due to our policy of constant improvement, shown values can be changed.